

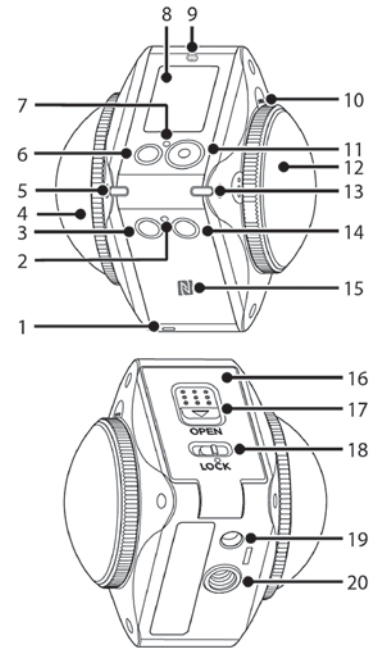
KODAK PIXPRO ORBIT360 4K

360° VR CAMERA



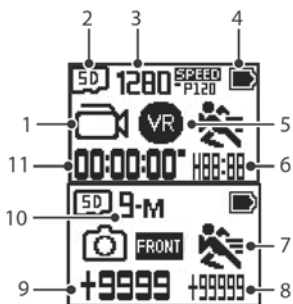
Camera Body Layout

1. Top Half
2. Wi-Fi Indicator
3. Wi-Fi Indicator / Direction Button (down) / Remote Control Pairing (press and hold)
4. Lens B (235°)
5. Lens Status Indicator B
6. Power Button
7. Status Indicator
8. LCD
9. BLUETOOTH Logo / Mark
10. Exterior Microphone (Stereo)
11. Video Recording Button / Photo Shooting Button / OK Button
12. Lens A (155°)
13. Lens Status Indicator A
14. Menu Button / Direction Button (up) / Mode Switching (press and hold)
15. NFC Logo / Mark
16. Battery Cover Door
17. Battery Cover Open Toggle Switch
18. Battery Cover Door Lock
19. Positioning Mount Receptor
20. 1/4" Screw Socket



Main Camera Interface

kodakpixpro.com



1. Camera Modes:

- Movie Mode
- Snap Shot Photo Mode
- High-Speed Movie Mode
- Burst Mode

2. Memory Card

3. Movie Size:

- VR** 3840-P24 / 3840-P15 / 1920-P30 / 1280-SPEED P120
- DOME** 2880-P24 / 1920-P30
- FRONT** 4K-P30 / FHD-Ultra P60 / FHD-middle P60 / FHD-narrow P60 / HD-P60 / HD-SPEED P120

4. Battery Status

5. Display Mode: **VR** 360° Spherical / **DOME** 235° Dome / **FRONT** 197° 4K Ultra Wide

6. Remaining Recording Time: **HH:MM** HH:MM / **MM:SS** MM:SS / **--:--** none

7. Motion Detection (On)

8. Number of Remaining Shots **+99999** ("+9999" will be displayed when the SD card exceeds the maximum available display number) / **---** none

9. Existing Document in the Memory Card: **+99999** ("+9999" will be displayed when the SD card exceeds the maximum available display number)

10. Photo Size: **VR** 27M / 15M / 27M / 15M
DOME 13M **FRONT** 9-M / 8-M

11. Time Recording the Movie **00:00:01"**